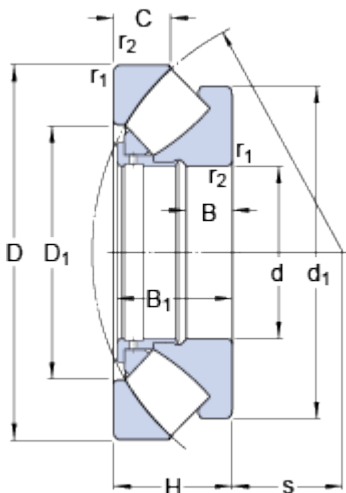


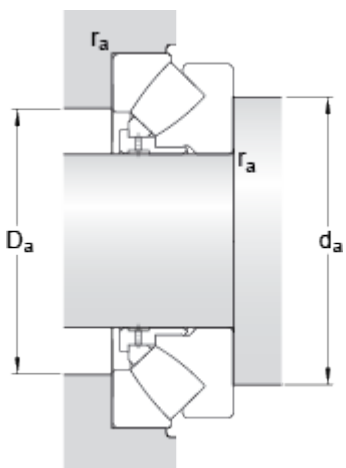
# 293/500E

## Dimensions



d	500	mm
D	750	mm
H	150	mm
d <sub>1</sub>	≈ 725	mm
D <sub>1</sub>	≈ 611	mm
B	50	mm
B <sub>1</sub>	144	mm
C	74	mm
s	280	mm
r <sub>1,2</sub>	min. 6	mm

## Abutment dimensions



d <sub>a</sub>	min. 630	mm
D <sub>a</sub>	max. 675	mm
r <sub>a</sub>	max. 5	mm

## Calculation data

Basic dynamic load rating	C	4490	kN
Basic static load rating	C <sub>0</sub>	20400	kN
Fatigue load limit	P <sub>u</sub>	1560	kN
Reference speed		430	r/min
Limiting speed		800	r/min
Minimum axial load factor	A	40	

## Mass

Mass bearing		235	kg
--------------	--	-----	----